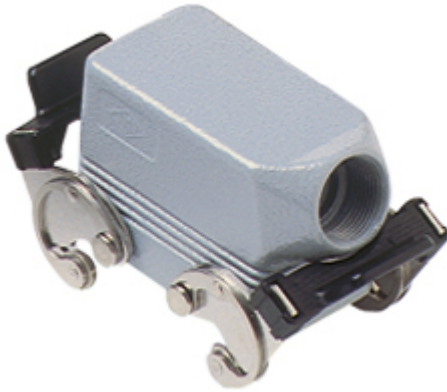


Part number



CHO 10 X



Brief description:

hoods with two levers, size "57.27", side entry, Pg16, metal version, IP66 (EN 60529) and IP69K (DIN 40050 - 9) degree of protection.

Product description	
Version	metal version
Series	Hoods for 2 levers, without gasket
Product type	with 2 levers, without gasket
Variant	side entry
Family	CLASS enclosures
Size	size "57.27"
Technical data	
Material	metal
IP degree of protection	IP66 (and IP69K DIN 40050 - 9)
Cable entry	Pg16
Further technical details	
Weight	216,00 g

Approvals / Standards	
Quality mark	 (type:4/4X/12),  , EAC
Conformity	CQC, CE
General ordering information	
EAN13 code	8015747019873
Tariff number	85369095
Packaging Information	
Packaging length	300,00 mm
Packaging height	160,00 mm
Packaging width	145,00 mm
Packaging weight	2,27 kg
Packaging volume	6,96 dm ³
Packaging description	Carton box
Packaging quantity	10 Pcs
Packaging EAN code	8015747019880
Sub-packaging weight	1,14 kg
Sub-packaging description	Carton Box
Sub-packaging quantity	5 Pcs
Sub-packaging EAN barcode	8015747019897

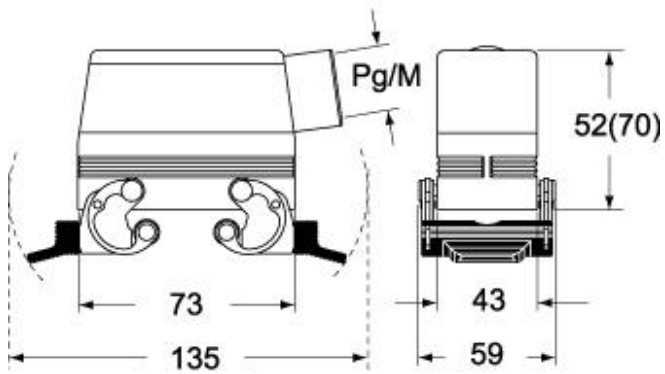
Part number

CHO 10 X



Catalogue drawings

CHO X (CAO X) - MHO X (MAO X)



CHV X (CAV X) - MHV X (MAV X)

